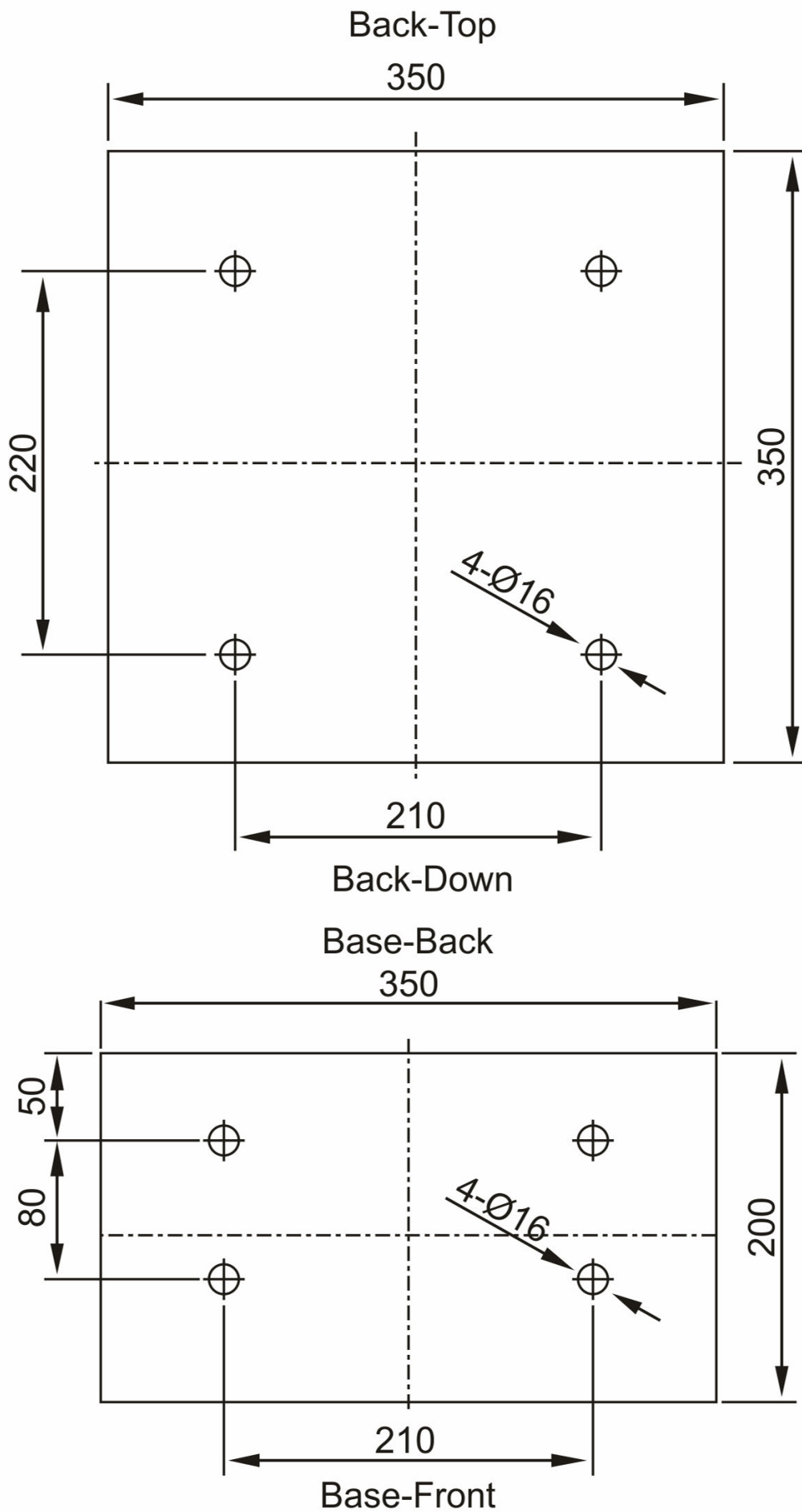
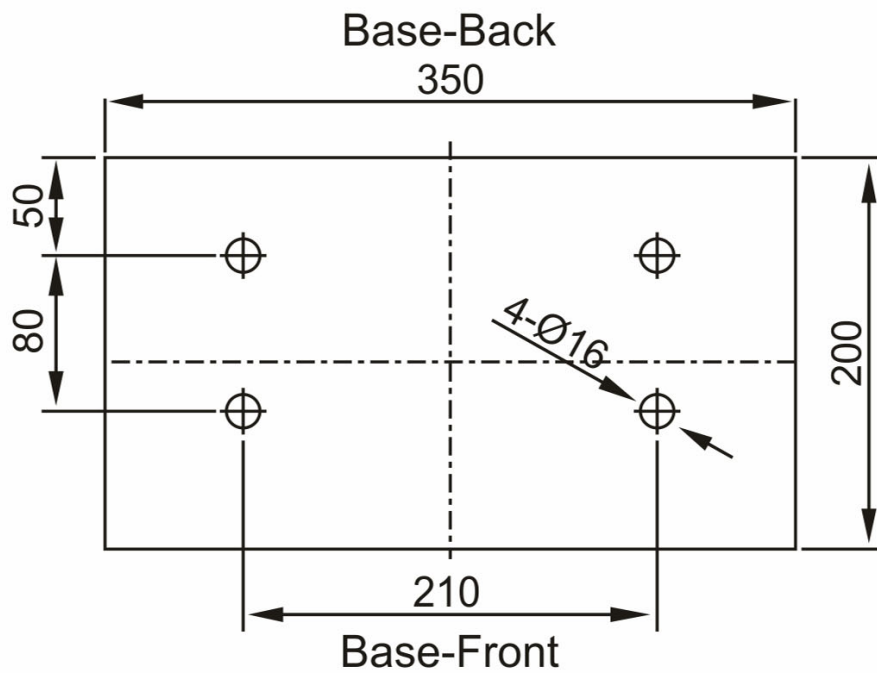
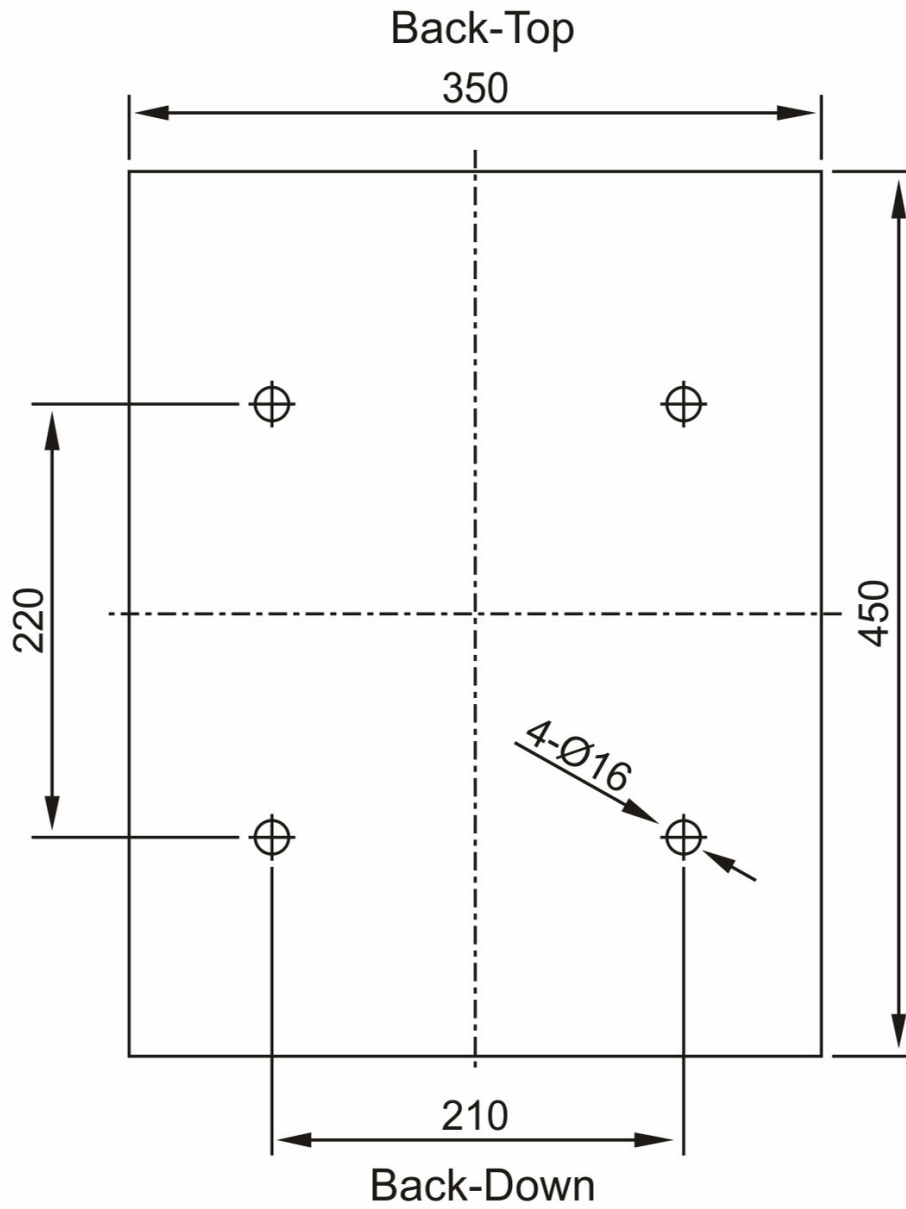


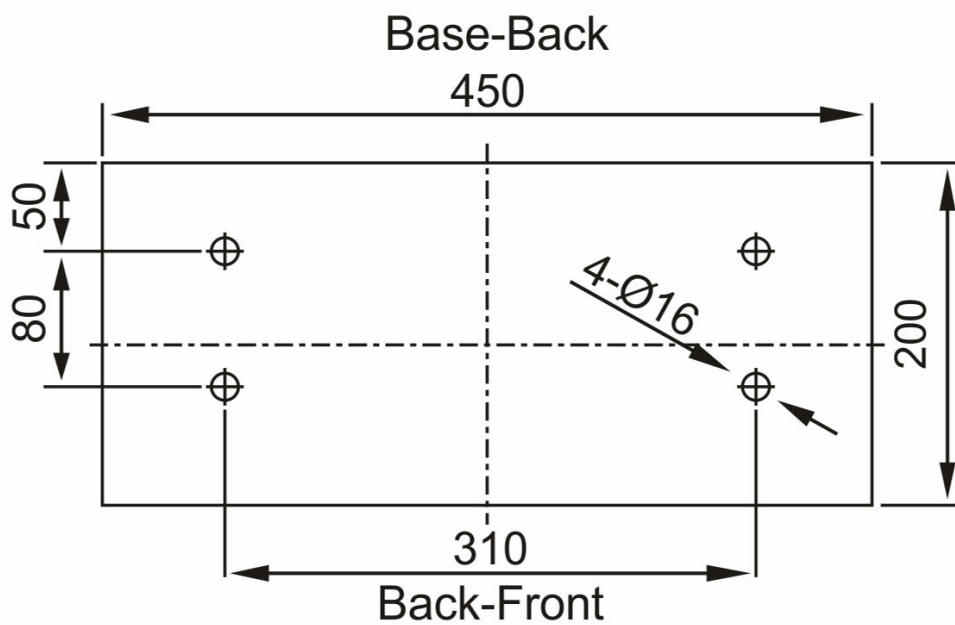
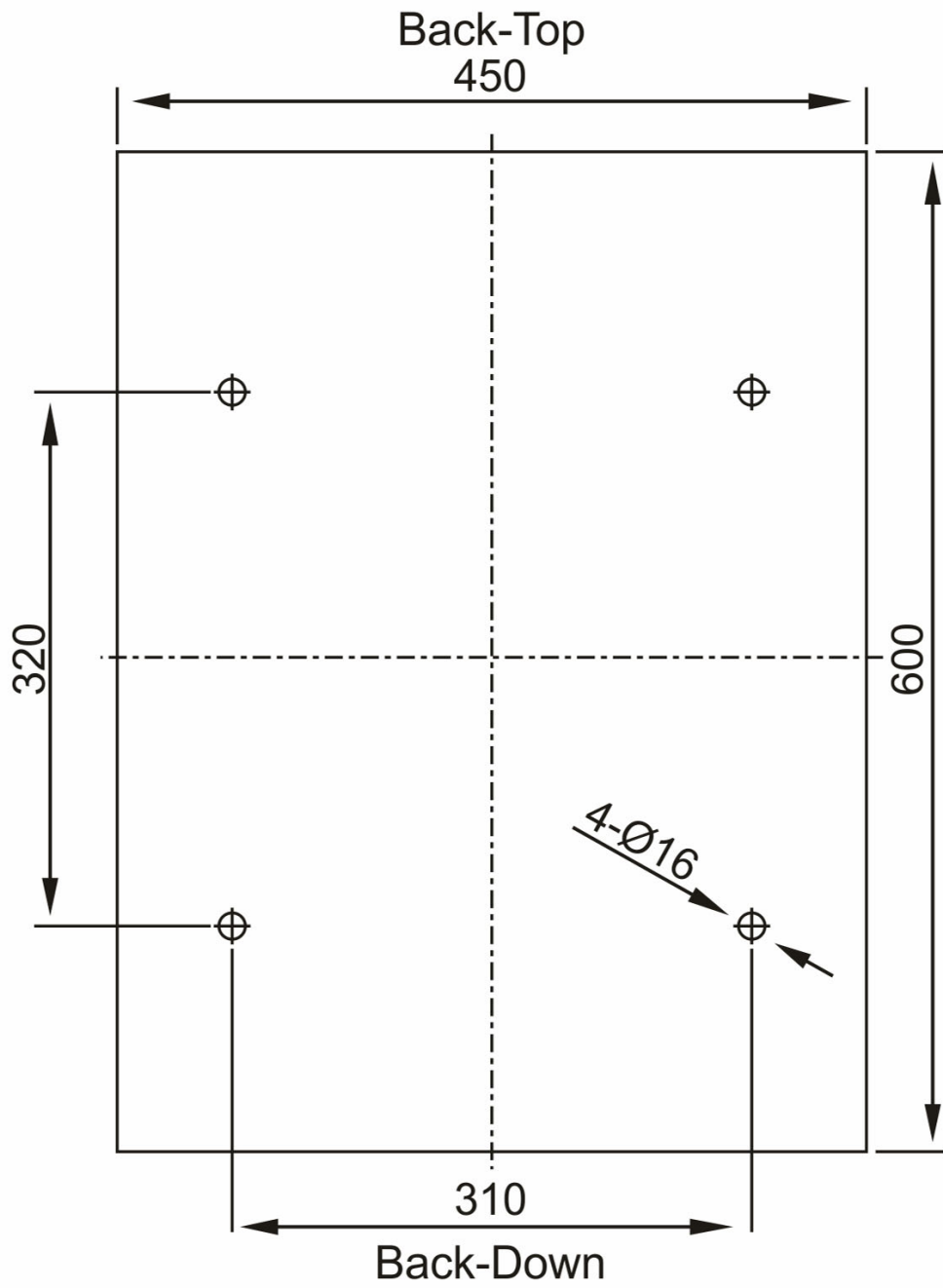
# Drug Safe PS1 Mounting Specifications



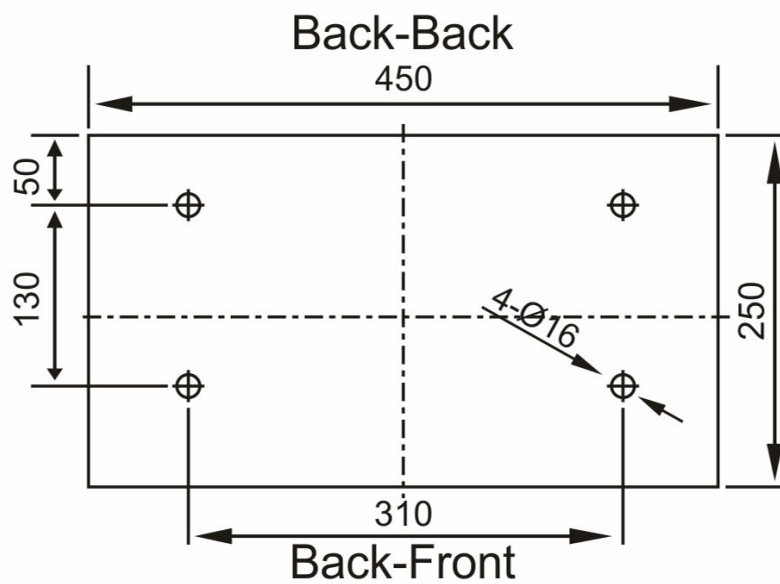
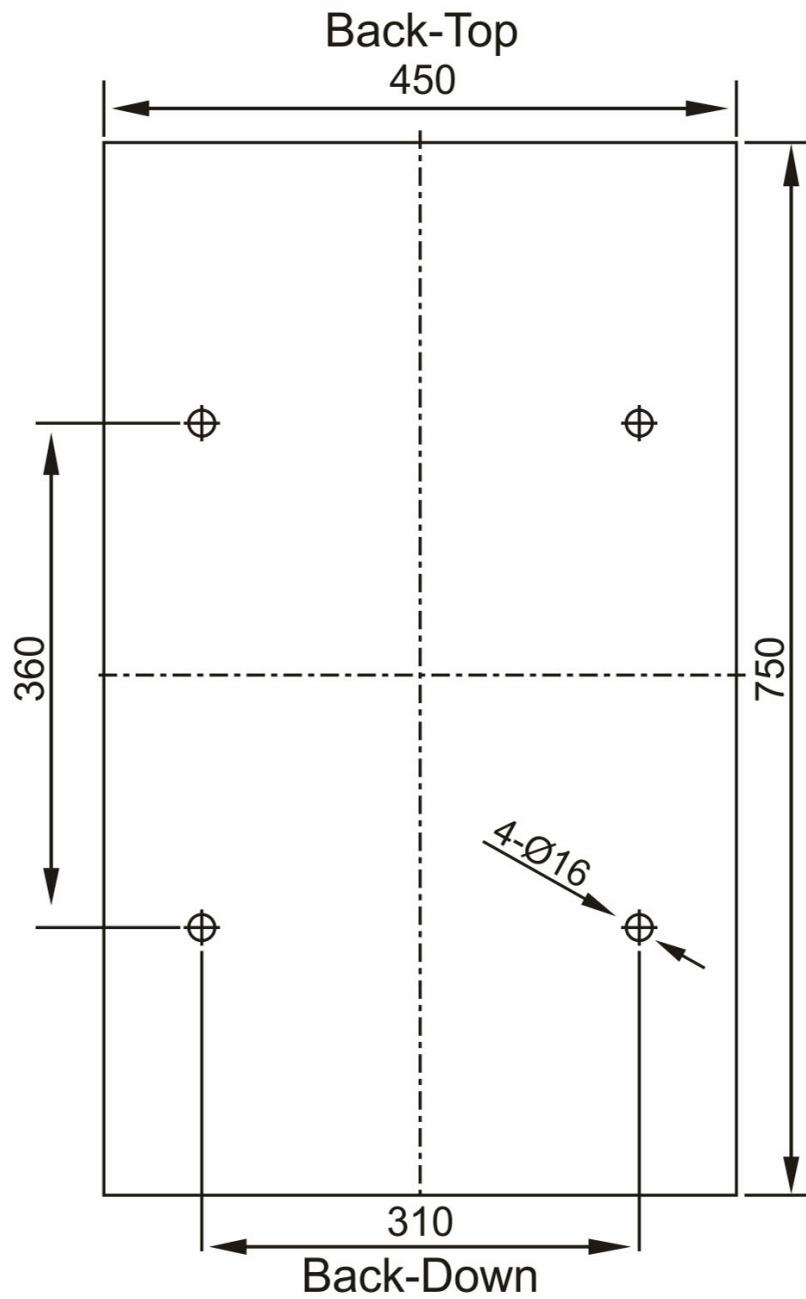
# Drug Safe PS2 Mounting Specifications



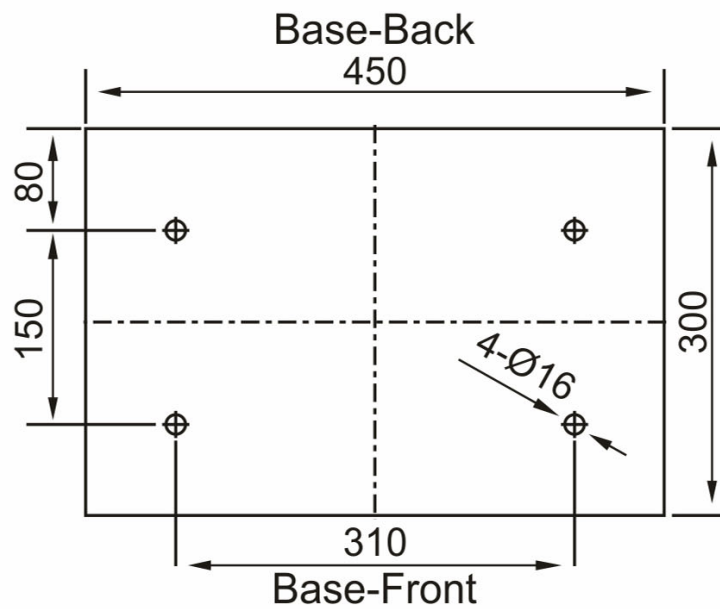
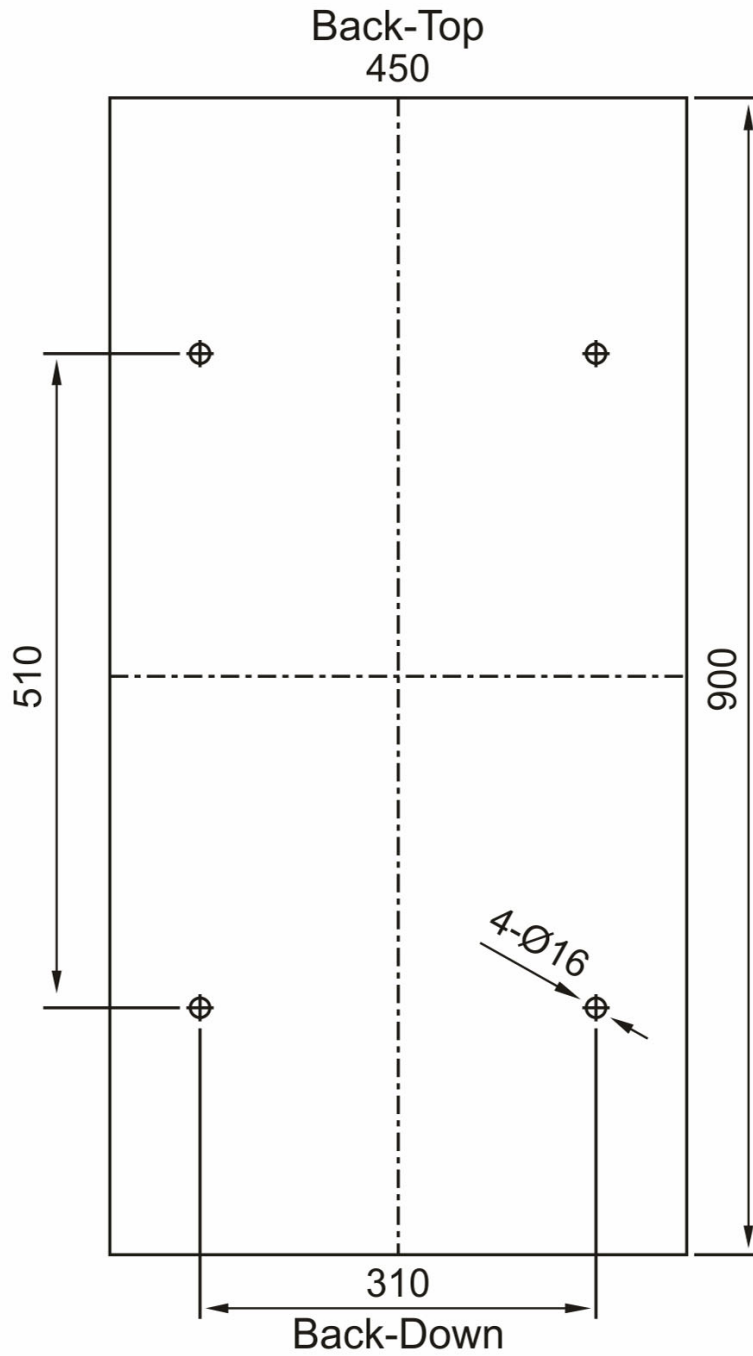
# Drug Safe PS3 Mounting Specifications



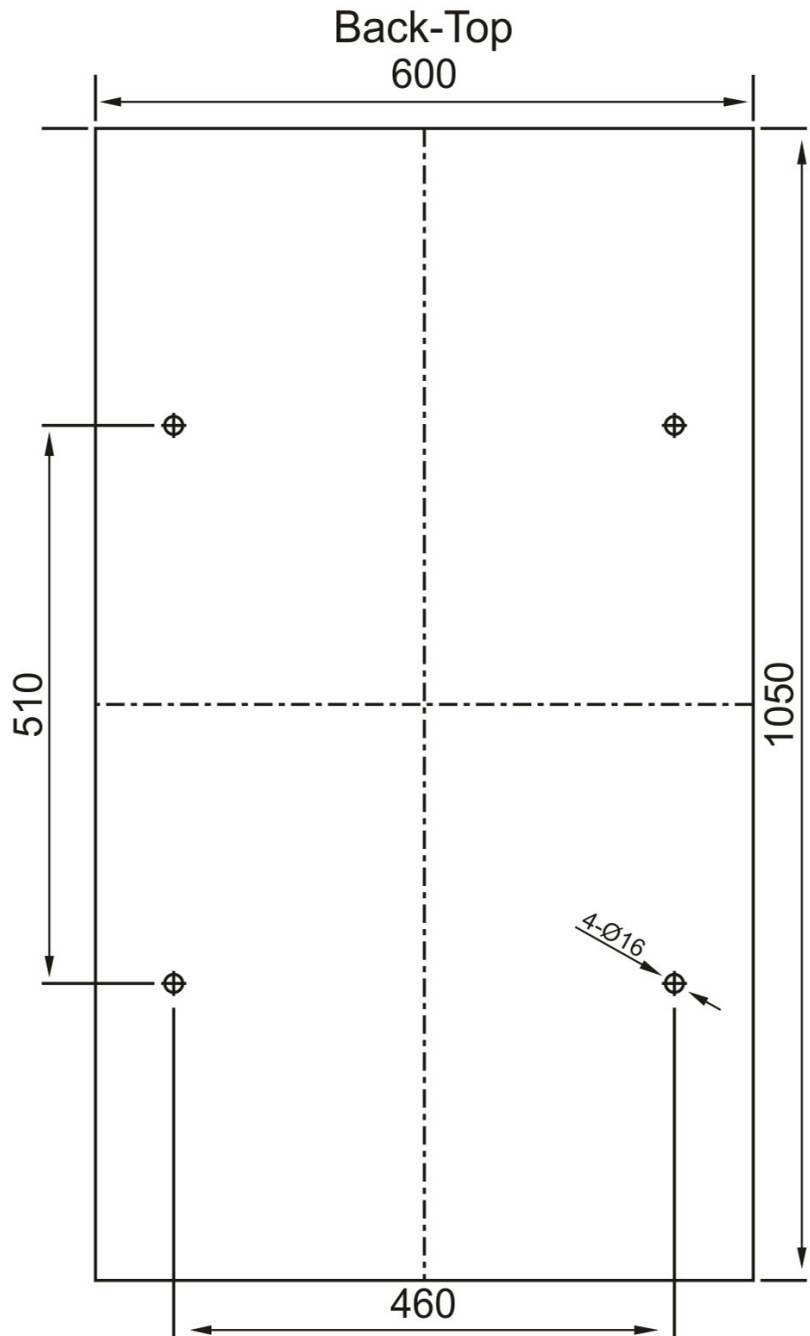
# Drug Safe PS4 Mounting Specifications



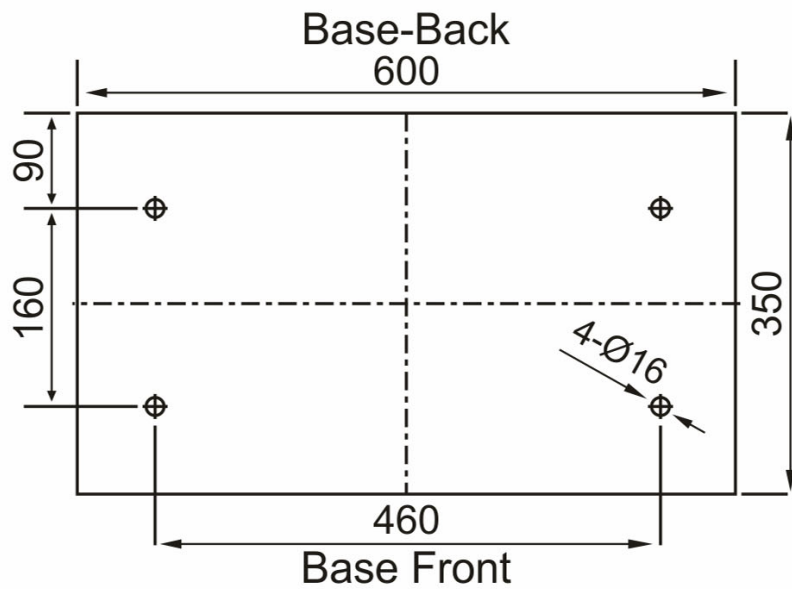
# Drug Safe PS5 Mounting Specifications



# Drug Safe PS6 Mounting Specifications

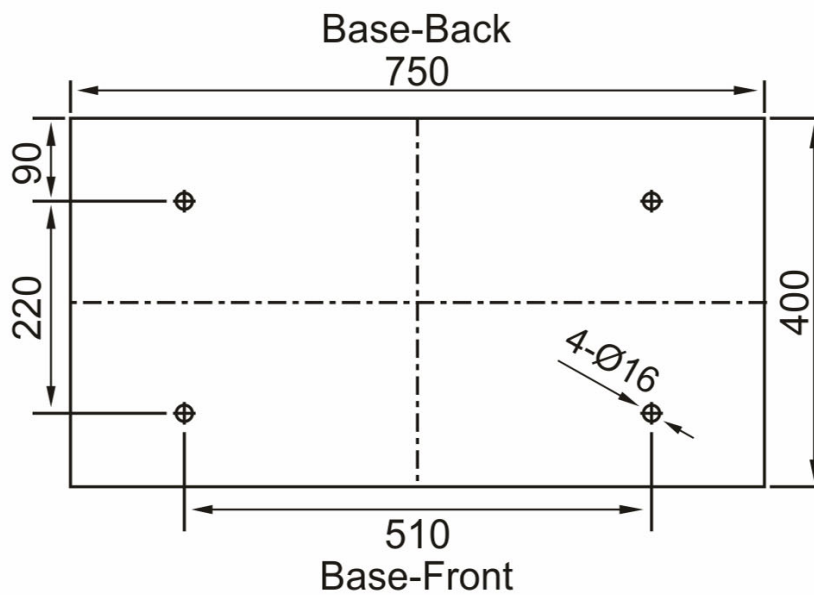
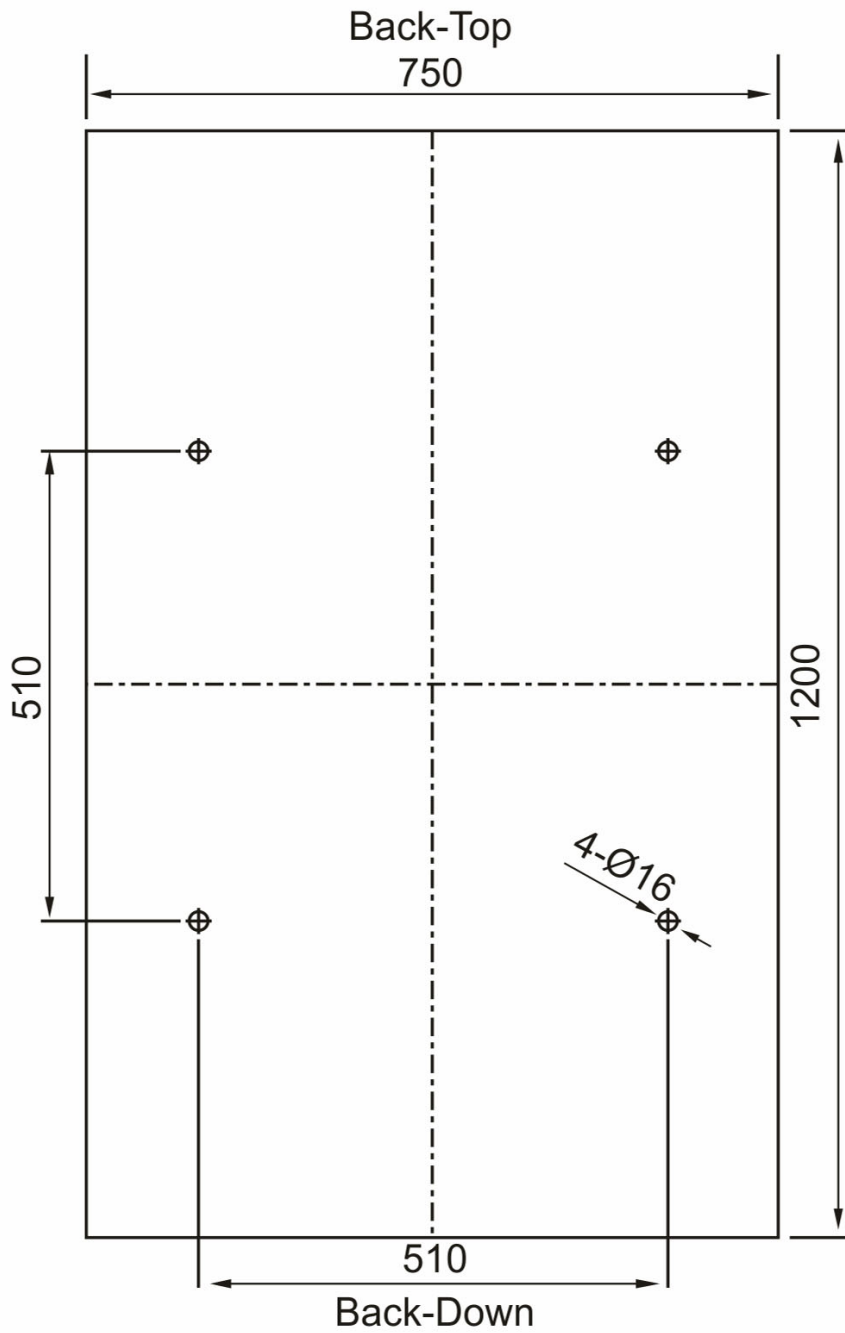


Back-Down



Base Front

# Drug Safe PS7 Mounting Specifications



# Drug Safe PS8 Mounting Specifications

